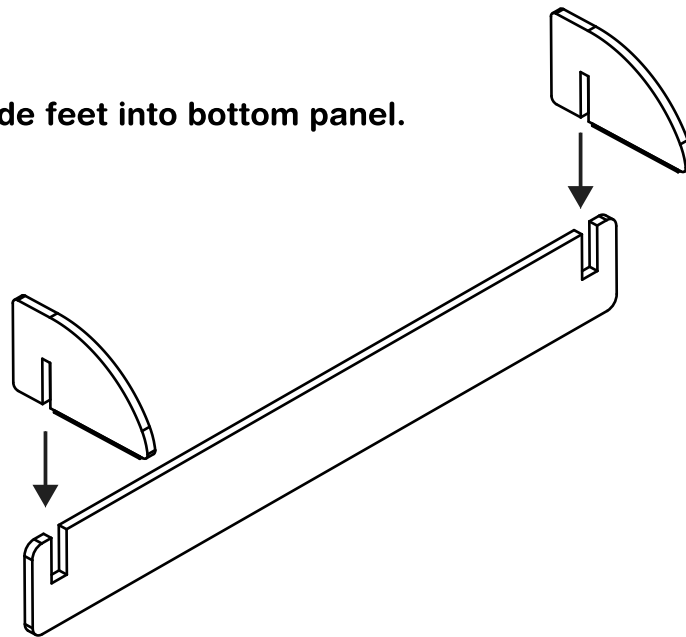


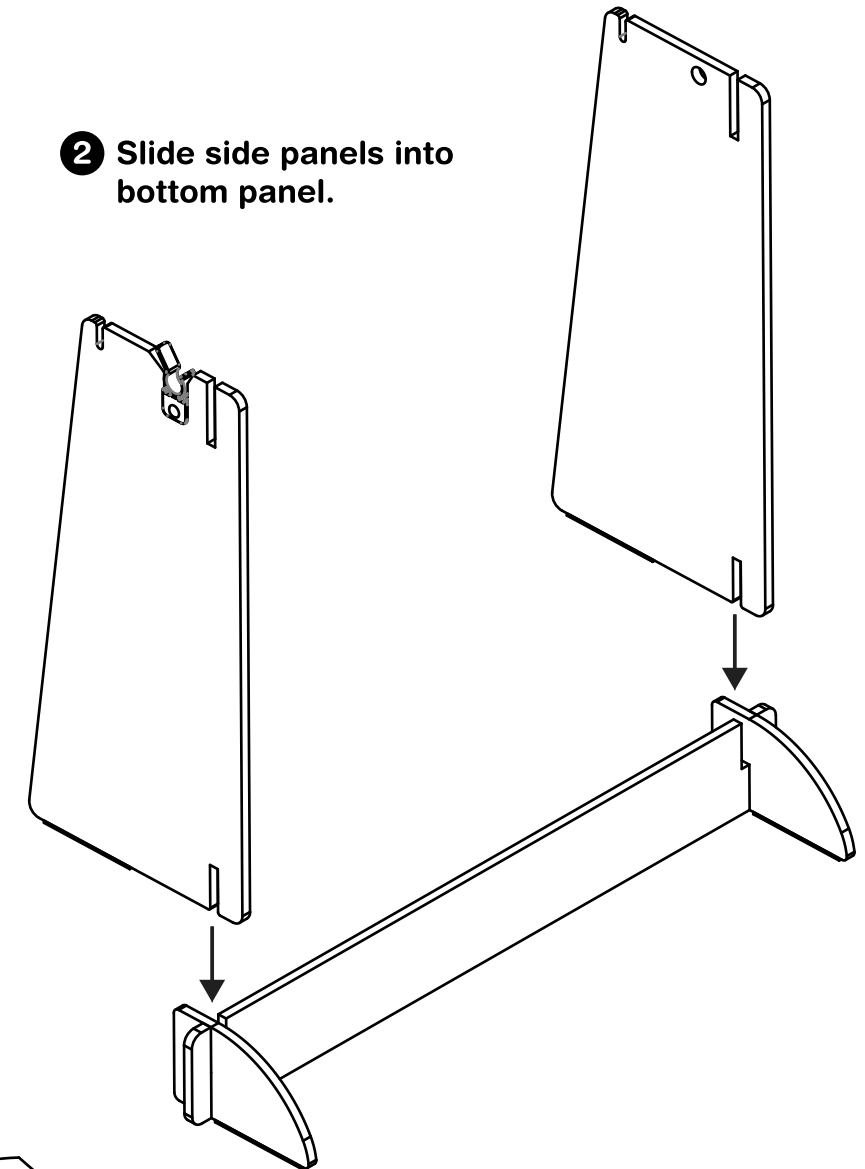
# TABLETOP PUPPET THEATER

## ASSEMBLY INSTRUCTIONS

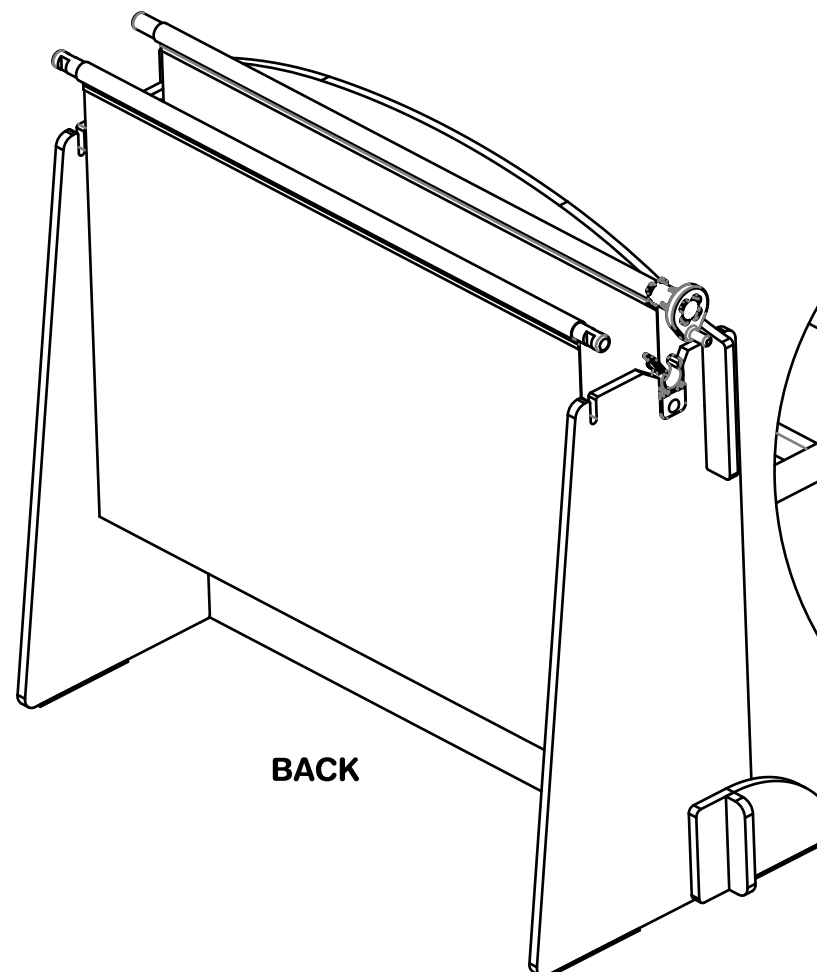
1 Slide feet into bottom panel.



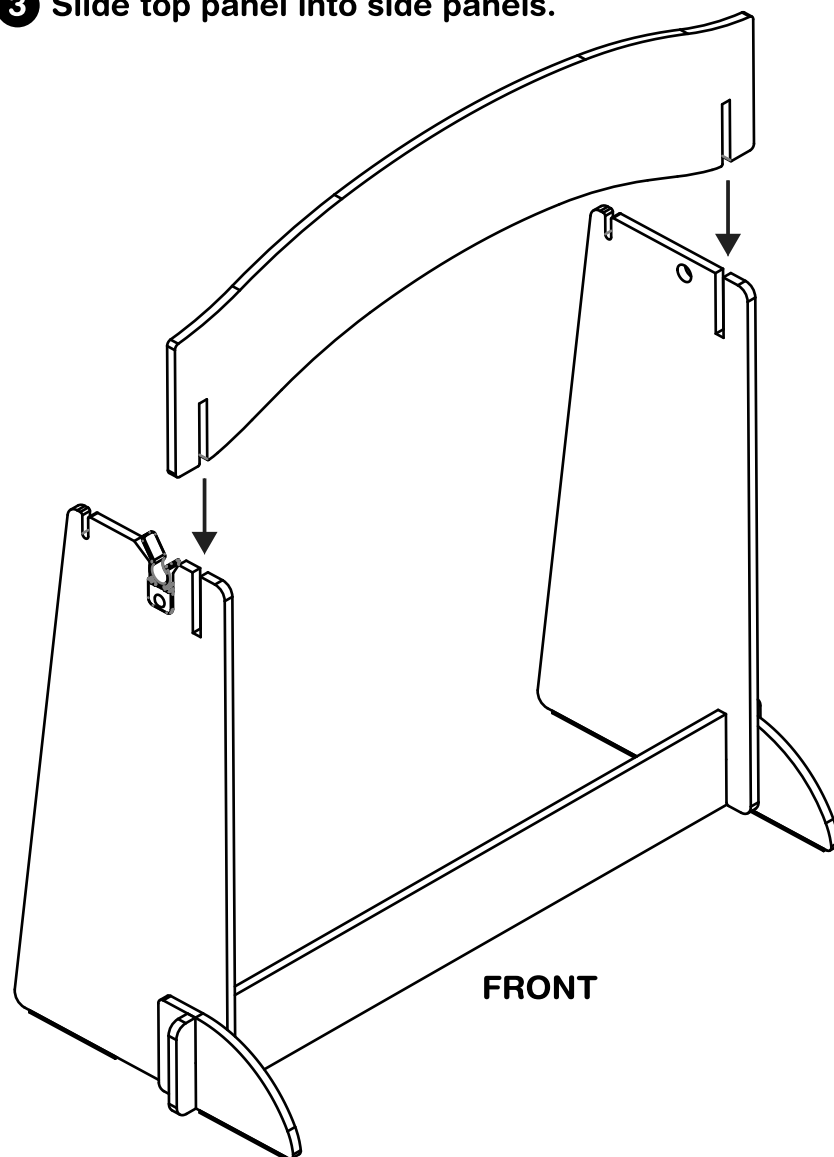
2 Slide side panels into bottom panel.



4 Fit end of curtain dowel into hole in side panel and snap curtain crank into side clip. Fit one end of the backdrop dowel into a side panel slot, then support the other side panel with your hand to fit the opposite end of the dowel into the slot. **Note:** Backdrop dowel fits tightly to help stabilize the theater.



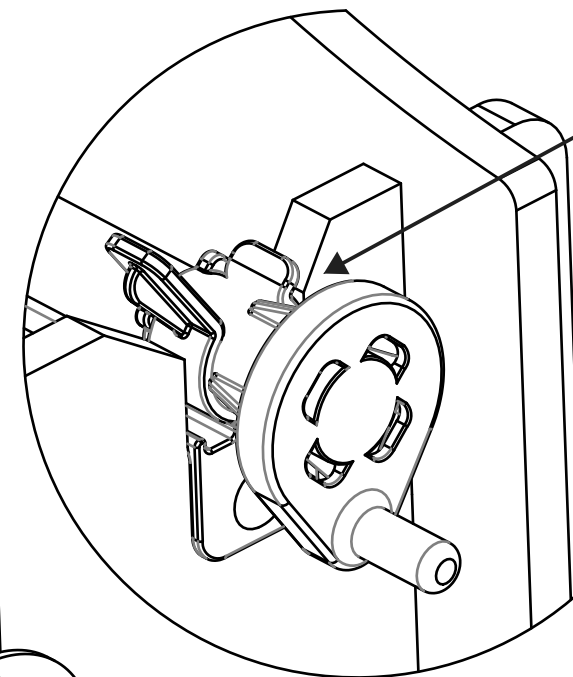
3 Slide top panel into side panels.



FRONT

BACK

Crank snaps into clip



Item #2536

We care about your comments. Please call us!

*Melissa & Doug*

1-800-284-3948

www.MelissaAndDoug.com

Melissa & Doug products meet or exceed all U.S. toy testing standards and pass our high quality requirements.

© Melissa & Doug, LLC, P.O. Box 590, Westport, CT 06881