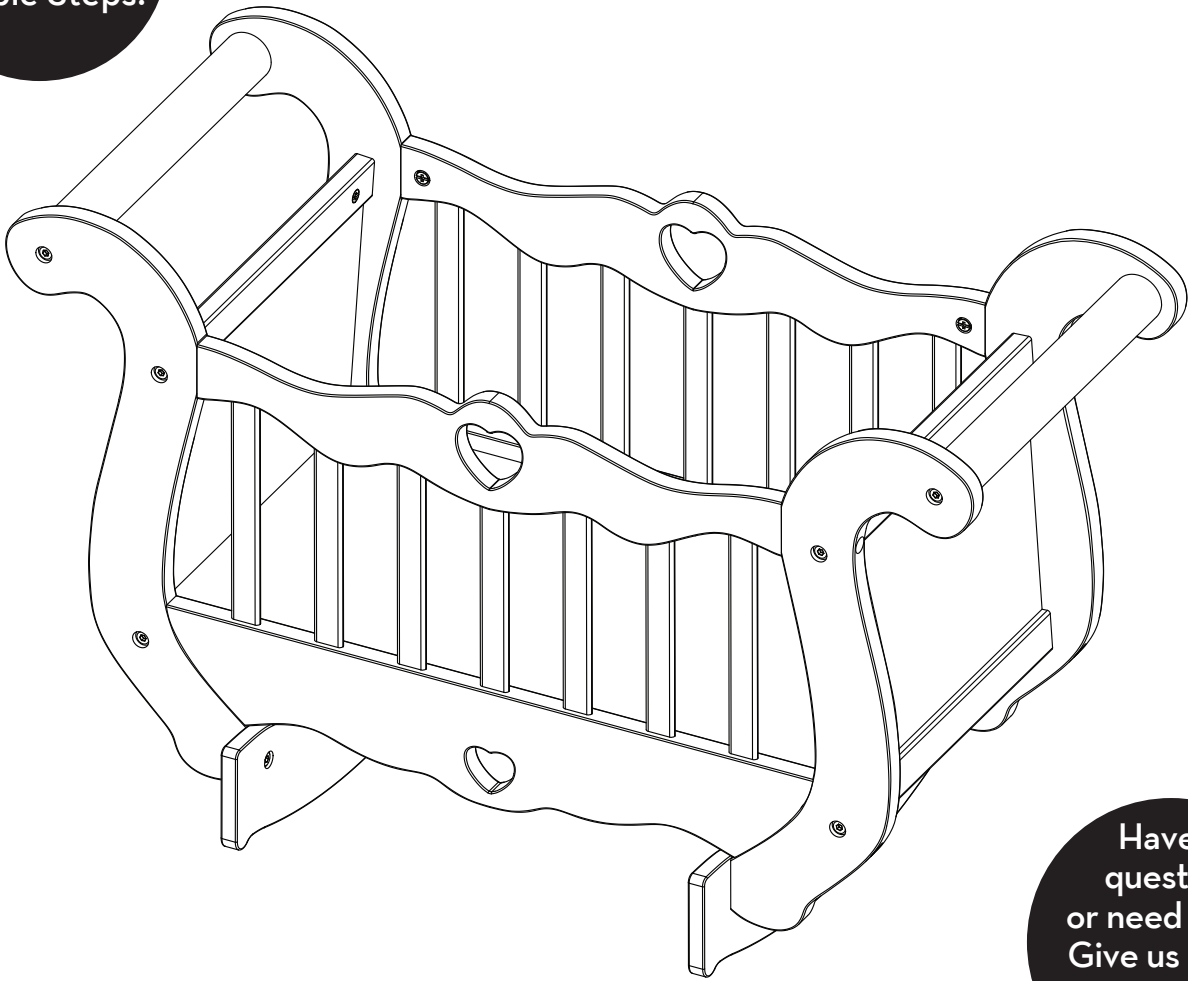




Wooden Doll Crib

ASSEMBLY INSTRUCTIONS

Put Together
in Just 6
Simple Steps!



Have a
question
or need help?
Give us a call!
1-800-284-3948

Item # 9385

We care about your comments. Please call us!

Melissa & Doug
1-800-284-3948
www.MelissaAndDoug.com

Melissa & Doug products meet or exceed U.S. testing standards and pass our high quality requirements.

© Melissa & Doug, LLC, P.O. Box 590, Westport, CT 06881
MADE IN CHINA

WARNING:
CHOKING HAZARD - Small Parts.
Not for children under 3 years.

CAUTION:
ADULT ASSEMBLY REQUIRED.

Ages 3+

THANK YOU!

Thank you for choosing the Melissa & Doug Wooden Doll Crib! It's a terrific way to help nurture a child's creativity and imagination, and to inspire children to dote on their dolls for years to come.

NOW IT'S TIME TO PUT IT TOGETHER!

Don't worry, assembling your new doll crib is simple, and we're here to help. Here are a few tips before you begin:

- Read through all the instructions first.
- Clear a flat, covered space (carpeted is best) to lay out all the materials so everything is close at hand.
- You will need a Phillips head screwdriver (not included) and the included Allen Wrench to assemble the crib. We've included everything else you will need. All parts are labeled with a sticker (A-G; 1-5).
- The instructions include lots of helpful pictures—we show you, step-by-step, exactly how to align pieces and parts for speedy and accurate assembly. Note that hardware needed for each step is shown in the upper right corner of the page, each piece being added in a given step is highlighted in gray, and the “assembled view” (what it looks like in the completed product when the step is completed) is included in the lower right corner of every page.
- In the instructions, the name of a part is followed by a letter or number in parentheses. This letter or number corresponds to the sticker on the part, as well as the picture of the part shown on page 2.
- Helpful hints are highlighted with a large exclamation point.



IMPORTANT: Helpful hints are found here.

- If you have any questions, we're here for you! Give our customer service team a call at 1-800-284-3948!
-

WARNINGS!

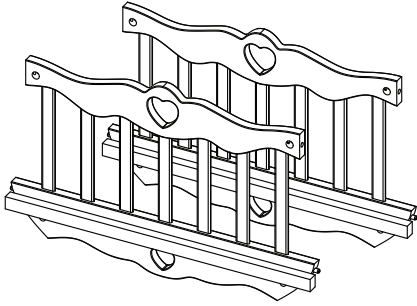
Retain these instructions for future reference.

- This doll crib is not intended for child seating. Use only with toy dolls.
 - Do not allow children to sit or stand on any part of the crib.
 - Never place computers, televisions, or other heavy objects on top of the crib.
 - The crib must be assembled as instructed.
-

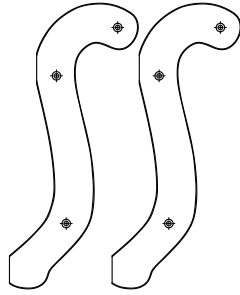
MAINTENANCE:

Ensure the doll crib continues to function properly and safely by regularly checking the hardware and tightening when necessary.

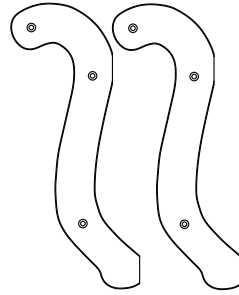
WOOD PARTS - Be Smart—Sort Your Parts



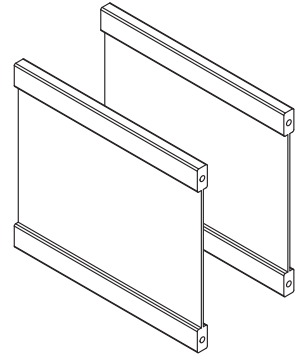
A side rail (2)



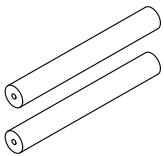
B right corner support (2)



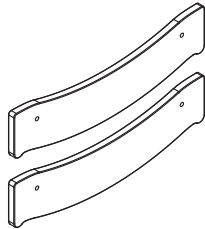
C left corner support (2)



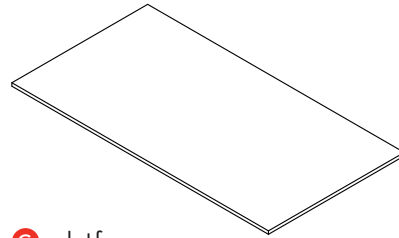
D crib end (2)



E spindle (2)

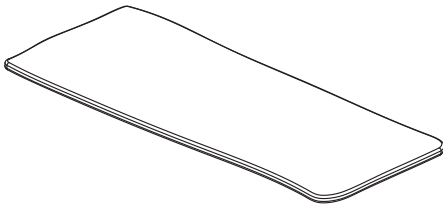


F rocker (2)



G platform

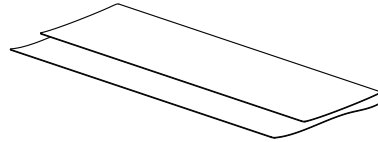
ACCESSORIES



mattress



pillow

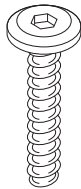


blanket

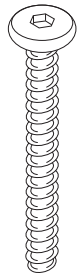
HARDWARE



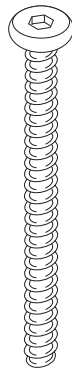
1 barrel nut (20)



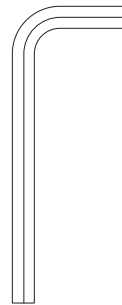
2 short hex head bolt (4)



3 medium hex head bolt (12)



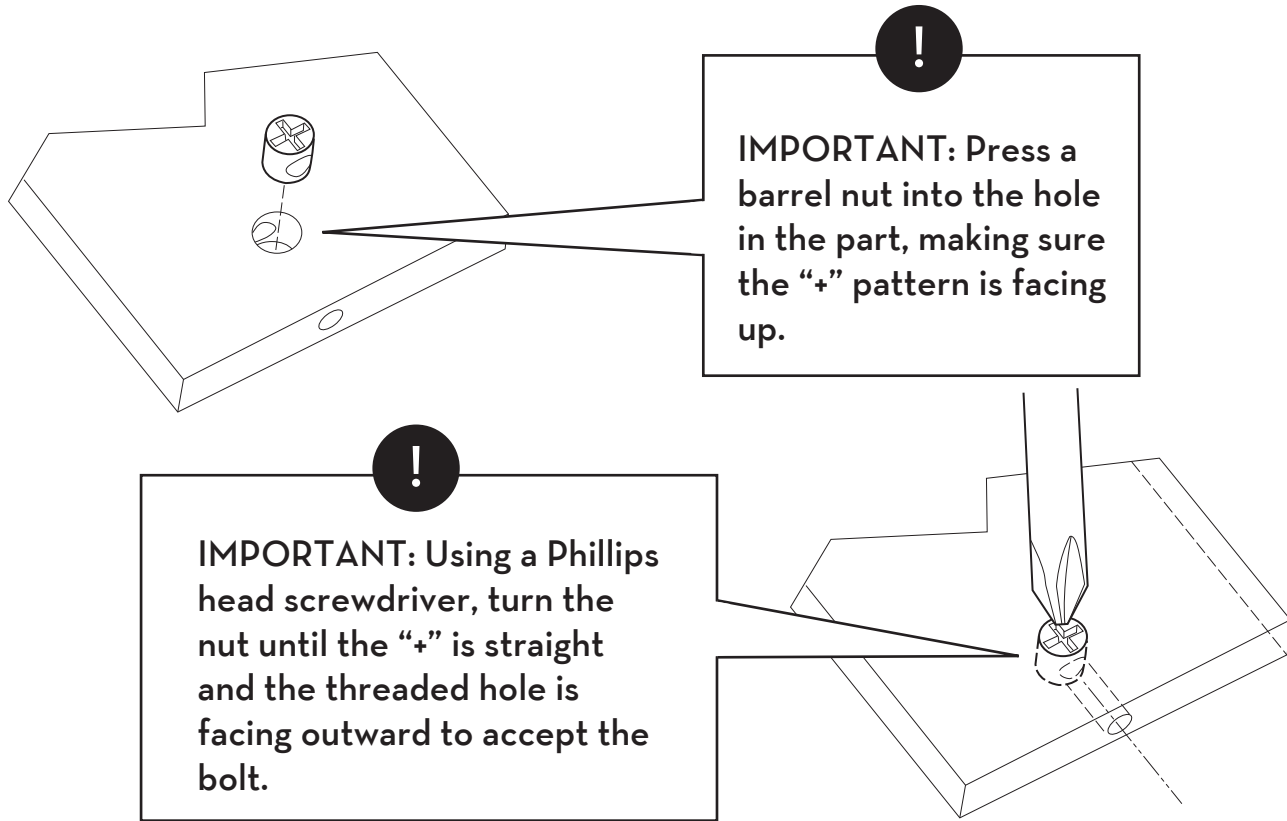
4 long hex head bolt (8)



5 Allen wrench

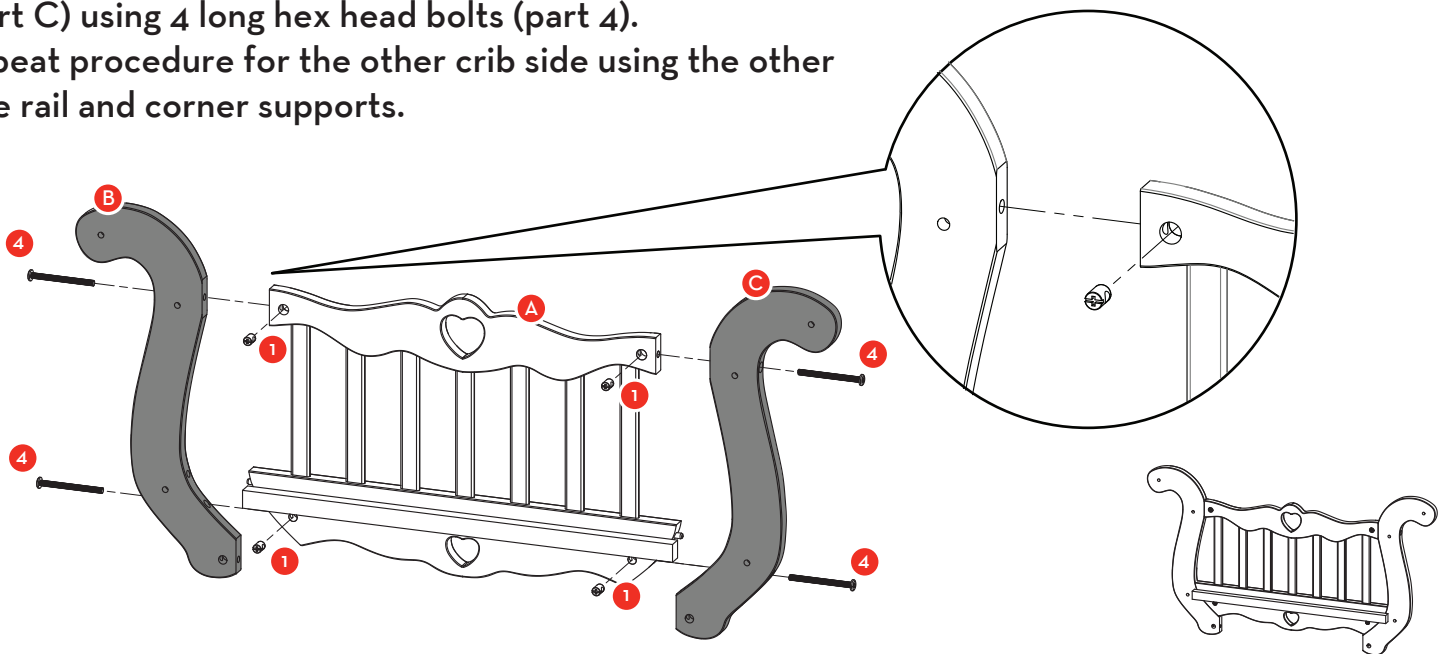
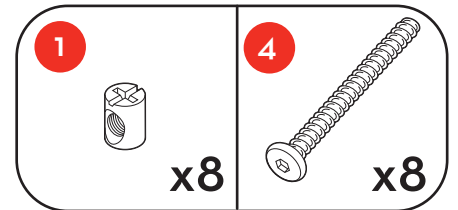
!
IMPORTANT: Some packages of hardware may have extra pieces.

How to Correctly Install Barrel Nuts



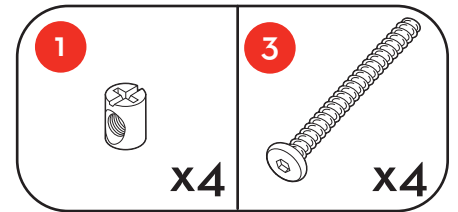
STEP 1 - Every Journey Begins with the First Step

Install 4 barrel nuts (part 1) into side rail (part A). Attach a right corner support (part B) and a left corner support (part C) using 4 long hex head bolts (part 4). Repeat procedure for the other crib side using the other side rail and corner supports.

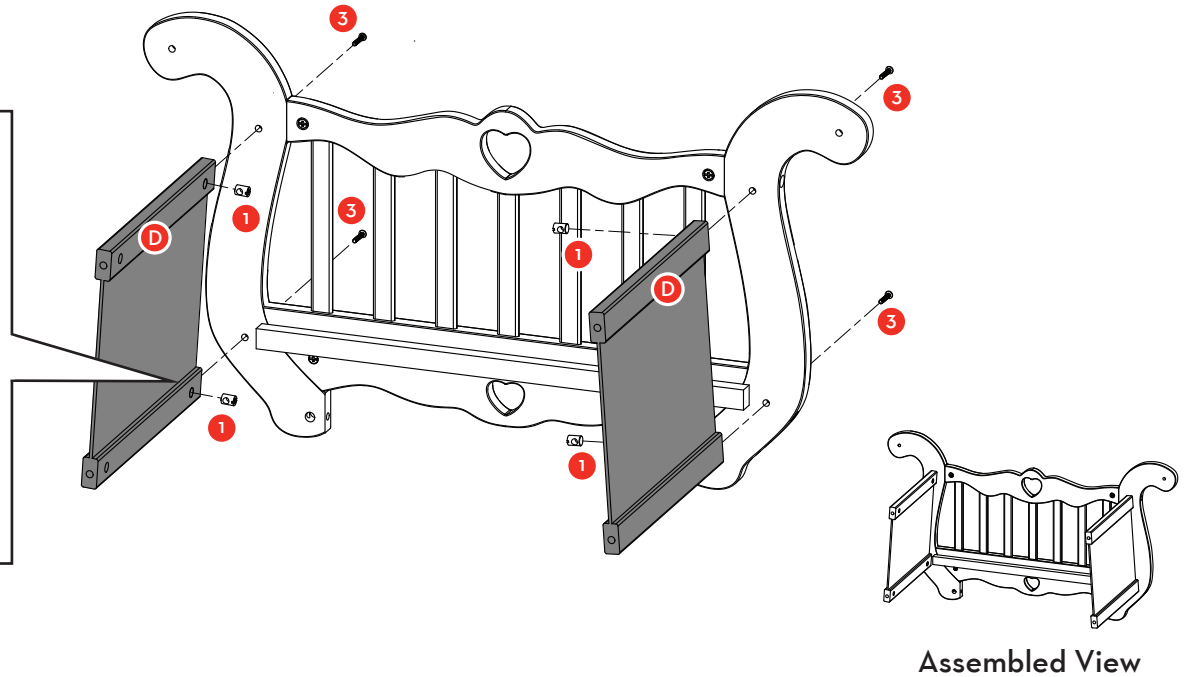


STEP 2 - The Ends Are Your Friends

Install 2 barrel nuts (part 1) into each of the crib ends (part D).
Using 4 medium hex head bolts (part 3), attach the crib ends to the corner supports (part C).

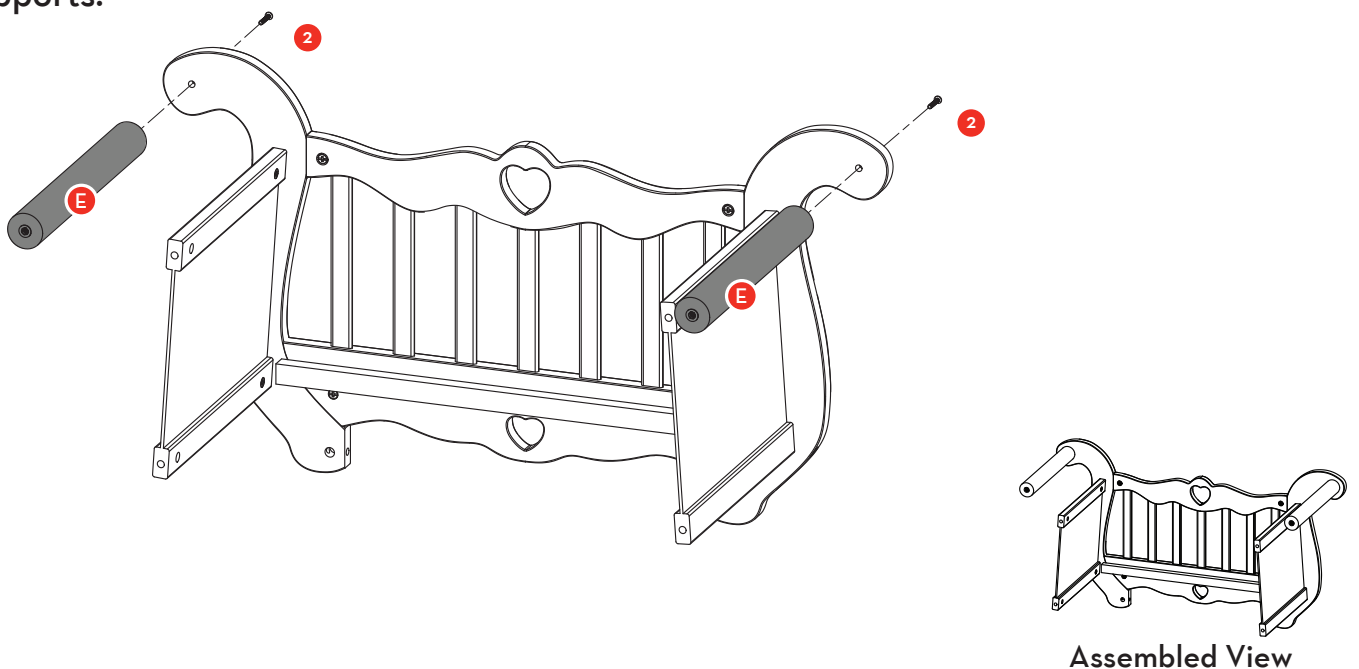
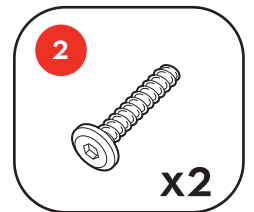


!
IMPORTANT:
Make sure the holes for barrel nuts on the crib ends face inward for a smooth look on the outside of the crib.



STEP 3 - Secure the Spindles

Using 2 short hex head bolts (part 2), attach the 2 spindles (part E) to the corner supports.

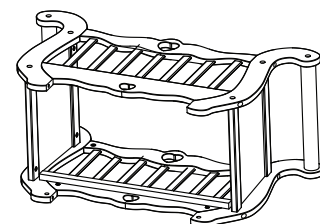
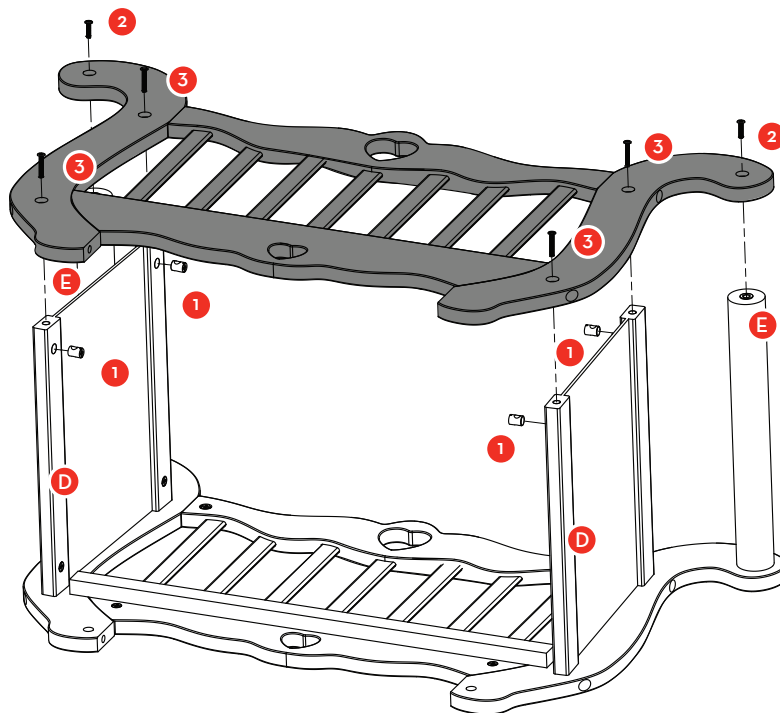
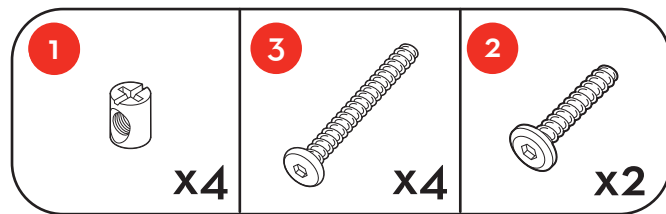


STEP 4 - Side by Side

Install 2 barrel nuts (part 1) into each of the crib ends (part D).

Attach the second side rail assembly from Step 1:

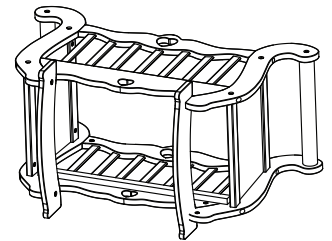
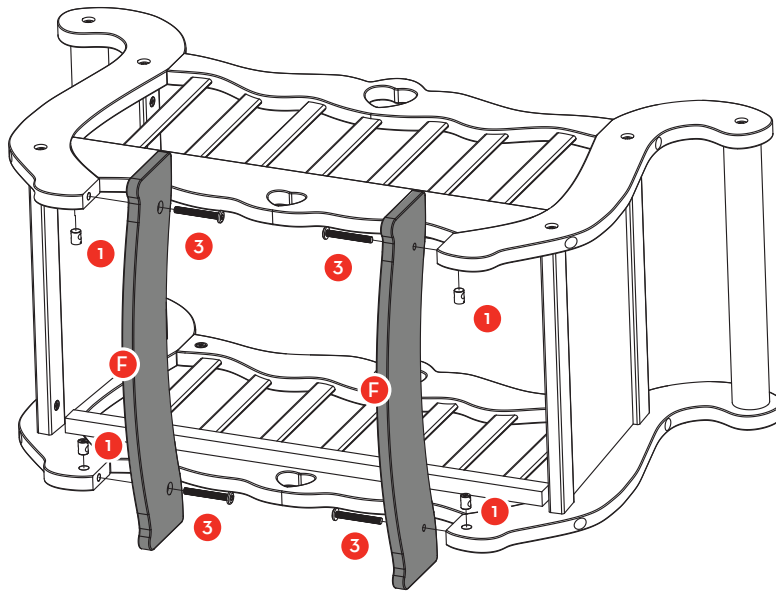
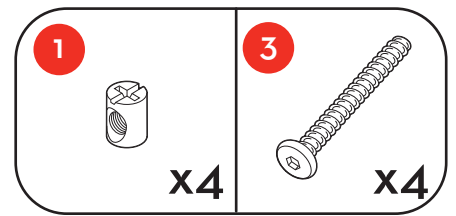
- Using 4 medium hex head bolts (part 3), attach side rail to both of the crib ends (part D).
- Using 2 short hex head bolts (part 2), attach side rail to both spindles (part E).



Assembled View

STEP 5 - Keep on Rocking

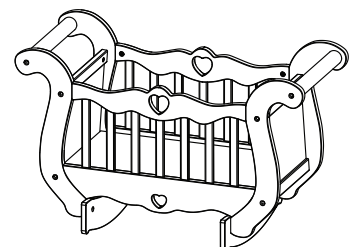
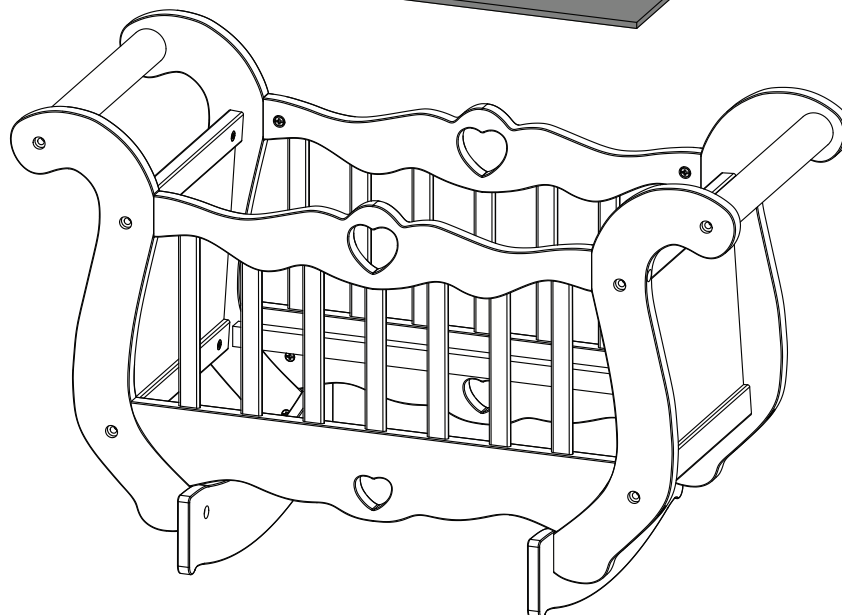
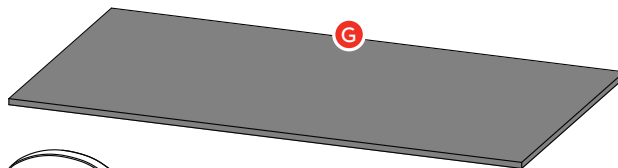
Install 4 barrel nuts (part 1) into the bottom of all 4 corner supports. Using 4 medium hex head bolts (part 3), attach the rockers (part F).



Assembled View

STEP 6 - What Fun—You're Done!

Fit the platform (part G) into the assembled crib. Add the mattress, pillow and blanket and you are ready to play!



Assembled View

YOU DID IT!

Now the real fun begins—it's time to help your favorite dolls snuggle down and get ready for bedtime in this classically styled crib!

ACCESSORIZE

Dolls up to 20 inches tall fit in the Melissa & Doug Wooden Doll Crib. It's designed to coordinate beautifully with the Melissa & Doug Wooden Doll Armoire (#9384), Wooden Doll High Chair (#9382), and the Wooden Doll Bed (#9383). To find these items and more dolls and doll accessories, visit us at MelissaAndDoug.com!

